



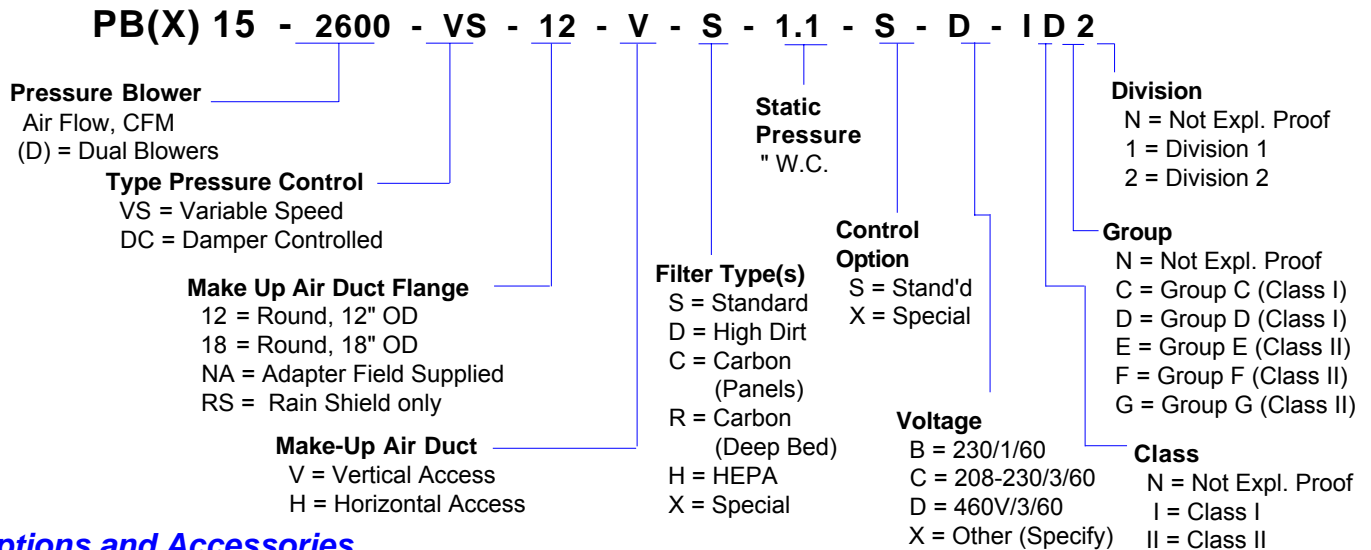
EXPLOSION-PROOF BLOWERS

PB 15 Pressurizing Blowers with Filter Housings

How to Order

- 1.- Determine the **maximum** air flow required by the PB or PBX (explosion proof) pressure blower. NFPA 496 requires a **minimum of 60 feet per minute** across all door and other room openings
- 2.- Determine hazard classification outside of the pressurized structure, e.g. NEC Class I, Group D, Division 2.
- 3.- Determine the model number following the description below.
- 4.- Select additional options and accessories that may be required. Order these items separately. For systems requiring special particulate, chemical or carbon filters contact factory for computer sizing.
- 5.- For technical or pricing information contact your local representative or Sales Engineering at (800) 654-3857.

Model Number Description



Options and Accessories

Model	Description
PB 15-PFA	Modular Filter Housing Assembly, including initial filter charge (Contact Applications Engineering for Details)
PB EH(kw)	Electric Heat, (specify kw), with pressure interlock, available for Division 2 only
PB SH(BTUH)	Steam Heate, (specify BTUH), less trap or control solenoid (specify steam pressure)
PB 15-DSI	Disconnect Switch with Circuit Breaker, installed
PB 15-ASC-1	Automatic Switchover, Dual (redundant) Pressure Blowers only, w/disconnect and circuit breaker, installed
PB 15-A2	Replacement Dust Filters, 4" Pleated, for Inlet Air Filter Housing, Box of 3
PB 15-A9	Make-Up Air Stack Adapter, 90°, for connecting PB 20-A3 to make-up air inlet
PB 15-A3(____")	Make-up Air Duct, 12" or 18" O.D. (specify), flanged 10 ft section, with flange bolts
PB 15-A4	Rain cap Protective Air Inlet Cover, with bird screen and hardware, for connection to PB 20-A3
PB 15-A5	Alarm Horn, connects to built-in alarm contacts to signal pressure loss
PB 15-A6	Automatic Purge Control, timed purge provides adjustable delay period
PB 15-A7	Barometric Control Damper, wall mount, for use with 'DC' pressure control option
PB 15-11	Full Corrosion Protection: Sheet Metal Parts Protected with Epoxy Paint
PB-15-98	Smoke Detector, Explosion Proof, installed with system interlock
PB 15-99	Gas Detector (specify gas and concentration), installed with system interlock

Your Representative is:



**SCIENTIFIC
SYSTEMS
CORPORATION**

A Member of Marduk Holding Corp.

WWW.SEVEREDUTY.COM

7924 Reco Avenue
Baton Rouge, Louisiana 70814 USA
Phone: (225) 926-6950
Toll Free: (800) 654-3857
FAX: (225) 926-6973